

Under counter warewashers
U50

winterhalter®



HIGH PERFORMANCE AT ITS CORE

HIGH QUALITY, EASY TO USE & PERFECT WASH

U50 Under counter warewasher

The Winterhalter U50 under counter warewasher is built to meet the highest German quality standards and designed with simplicity and practicality in mind, fitting the needs of professionals in search of affordable and effective warewashing solutions. Users can trust its level of efficiency, reliability and cleaning performance. Backed by a comprehensive network of Winterhalter offices and partners in Asia, timely delivery, specialised service and parts availability are guaranteed. The U50 is optionally available with an integrated softener.

● Excellent results and perfect hygiene

- elliptical wash fields with integrated washing and rinsing nozzles
- two wash fields ensure uniform coverage and warewashing power from every angle
- deep drawn tank
- hygiene tank heater maintains constant tank temperature
- strainer filters coarse dirt out of the wash water
- integrated water softener as an option
- soft start: optimal protection of the wash items due to slow pressure build-up of circulating pump
- thermostop: guarantees that the rinse only starts when the boiler temperature has reached the defined set value

● Easy to use

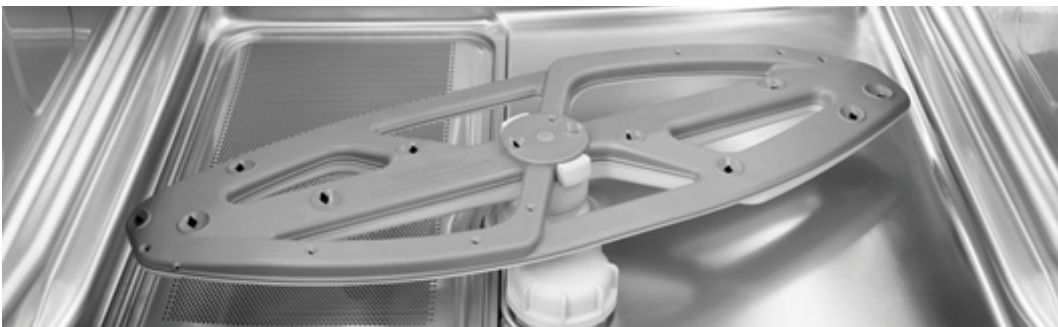
- one button operation (display is colour coded)
- integrated temperature display for tank and boiler
- self-cleaning cycle
- self-explanatory buttons for easy operation

● Economical to run

- full coverage filtration system
- smaller particles of dirt are held by the cylinder's fine filter
- less water changes due to cleaner wash water
- low capacity wash tank for quicker start-up and lower bills
- double walled door with solid construction reduces noise and heat emission
- a well balanced system delivers the lowest rinse water consumption

● Easy to service

- integrated error management
- easy access to all relevant parts
- reduced down-time



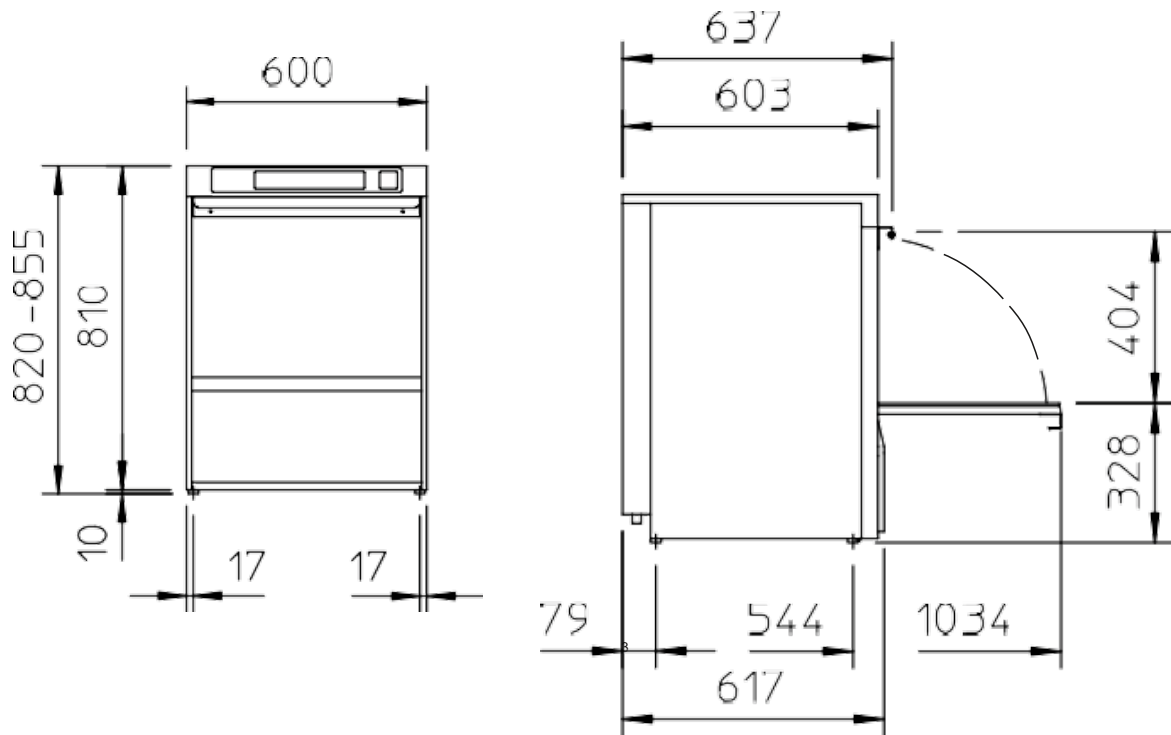
U50 Under counter warewasher

Number of programmes		2
Theoretical capacity standard / HighTemp	[racks/h]	30 / 20
Rack dimensions	[mm]	500 x 500
Water consumption		
Tank capacity	[l]	15.3
Rinse water consumption per cycle standard / HighTemp	[l]	2.4 / 3.4
Temperatures		
Tank temperature standard / HighTemp	[°C]	62 / 66
Rinse temperature	[°C]	85
Max. water inlet temperature	[°C]	60
Other information		
Circulating pump (P1)	[kW]	0.5
Noise emission	[dB(A)]	max. 59
Packaging dimensions	(W x D x H) [mm]	720 x 712 x 1020
Splash guard		IP X3
Weight, net / gross	[kg]	66 / 76

Electrical specifications

Supply	Fuse	Tank	Boiler	Total connect load
380 V- 415 V / 3N~ 50/60 Hz	16 A	2.0 kW	5.3 kW	7.8 kW
220 V- 240 V / 1N~ 50/60 Hz	16 A	2.0 kW	2.6 kW	3.1 kW
220 V- 240 V / 3~ 50/60 Hz	20 A	2.0 kW	3.6 kW	3.1 kW
220 V- 240 V / 3~ 50/60 Hz	25 A	2.0 kW	5.3 kW	7.8 kW

U50 Under counter warewasher





WINTERHALTER CUSTOMER SERVICE

A partner for dishwashing solutions. At Winterhalter, that's what we aim to be for our customers. This includes being able to rely on us at all times. Especially if the machine is not working properly and the washing process is getting in the way of operations. We will analyse and resolve the problem with the help of our extensive service network. Our customer service technicians are available to all of our customers around the clock and can be on site very quickly. So that everything will be up running again as quickly as possible.

WHAT WE OFFER



LAMC



CAMC

** Call-out service are available on paid basis. Please contact us on our Toll Free Service Help line No:1800 103 5913 (MON -FRI - 9:30 AM - 5:30 PM; Saturday, Sunday & Public Holiday - Closed)*

Authorized Dealer

Brilliance Refrigeration Systems

#235 C1, Bommasandra Industrial Area,
Bangalore 560099

Tel: +91-99000 13450

enquiry@brilliance.co.in
brilliance.co.in

